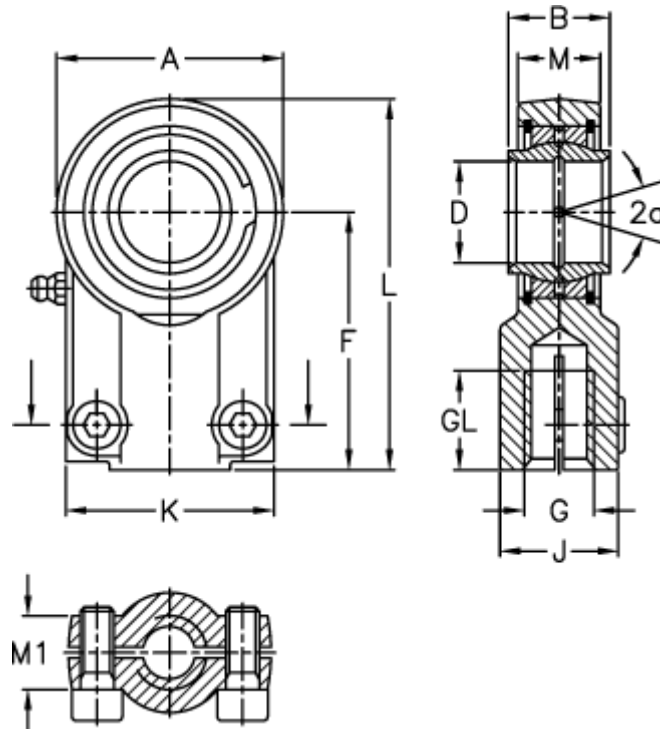


Article number: 03551032

Description: Fluro hydraulic rod end FPR 32CE

Measures



A	= 71	J	= 38
a (degrees)	= 4	K	= 66
B	= 32	L	= 118.5
D	= 32	M	= 27.9
Dynamic load C (kN)	= 67	M1	= 22
F	= 80	Static load C0 (kN)	= 114
g	= M27x2	Torque (N m)	= 49
GL	= 37	Weight	= 1170